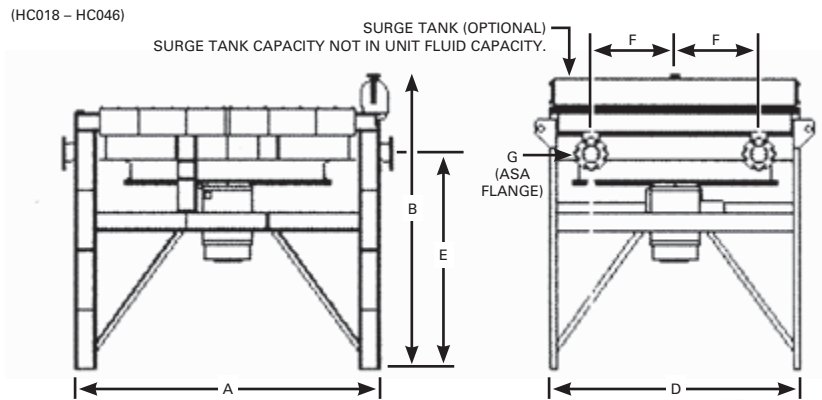
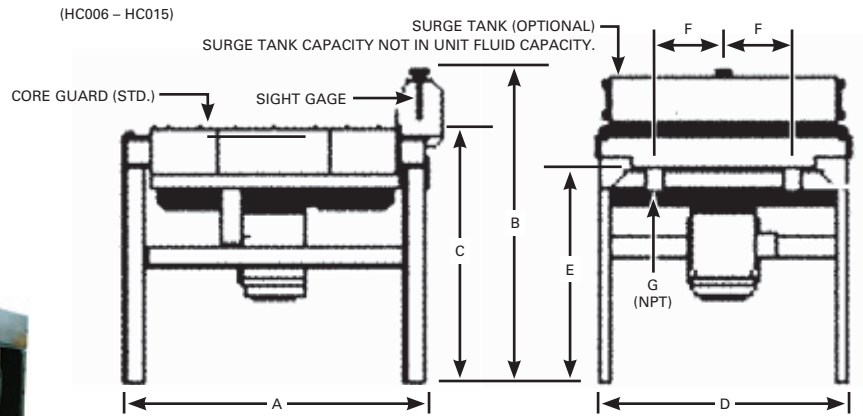


HC | Remote Horizontal Cooler

with DIRECT DRIVE FAN



Model	A	B	C	D	E	F	G	Fan Dia.	Motor HP	Approx. Fluid	Est. Dry Weight
HC006	40.3	47.0	36.0	32.0	23.0	11.0	2	30	1-3	7 Gal	490 Lbs
HC008	45.3	47.0	36.0	36.0	23.0	10.0	2	30	1-3	9 Gal	530 Lbs
HC010	50.3	47.0	36.0	40.0	23.0	11.0	3	36	2-7.5	10 Gal	690 Lbs
HC013	56.3	59.0	48.0	46.0	35.0	12.6	3	36/42	2-7.5	12 Gal	950 Lbs
HC015	58.3	59.0	48.0	50.0	35.0	12.6	3	42/48	3-10	13 Gal	1070 Lbs
HC018	66.0	71.0	60.0	54.0	47.0	20.3	4	48	3-15	19 Gal	1440 Lbs
HC022	76.0	83.0	72.0	64.3	57.5	26.5	5	54	5-25	26 Gal	2230 Lbs
HC025	76.0	83.0	72.0	64.3	57.5	26.5	5	54	5-25	26 Gal	2150 Lbs
HC030	86.0	95.0	84.0	72.3	69.5	26.8	5	60	7.5-25	30 Gal	2740 Lbs
HC035	86.0	95.0	84.0	80.3	69.5	26.8	5	60	7.5-25	33 Gal	2870 Lbs
HC040	96.0	95.0	84.0	80.3	69.5	26.8	5	60	7.5-25	35 Gal	2950 Lbs
HC046	96.0	95.0	84.0	91.3	69.5	32.3	5	60	7.5-25	40 Gal	3225 Lbs

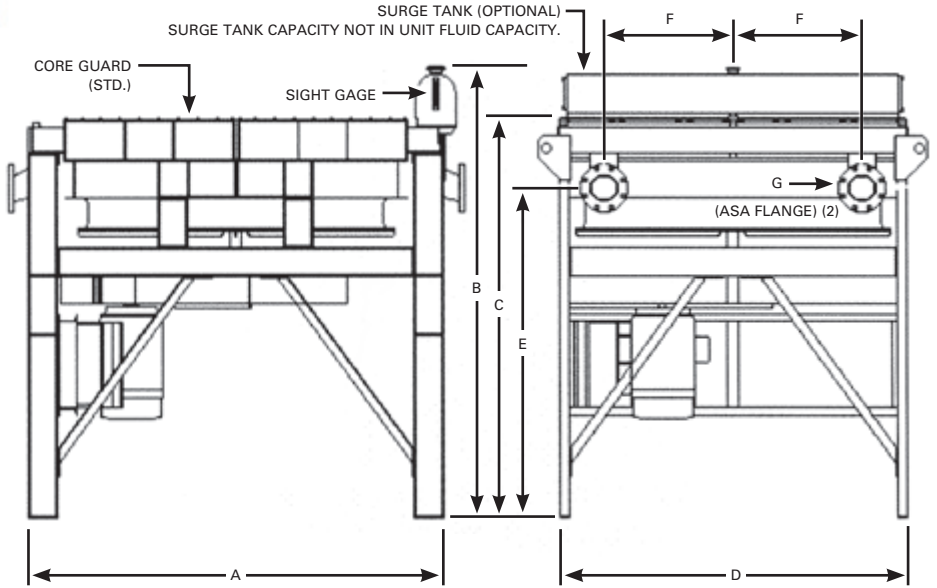


phone 262-942-1414 fax 262-942-1410 toll free 800-919-9559
 web www.iearad.com email sales@iearad.com

Corporate Headquarters 9625 55th Street, Kenosha, WI 53144

HC | Remote Horizontal Cooler

with V-BELT DRIVE FAN



ALL FAN MOTORS TEFC | LO NOISE MODELS ALSO AVAILABLE

Model	A	B	C	D	E	F	G	Fan Dia.	Motor HP	Approx. Fluid	Est. Dry Weight
HC022	76.0	83.0	72.0	64.3	57.5	26.5	5	54	10-50	24 Gal	2850 Lbs
HC025	76.0	83.0	72.0	64.3	57.5	26.5	5	54	10-50	24 Gal	2600 Lbs
HC030	86.0	95.0	84.0	72.3	69.5	26.8	5	60	15-50	28 Gal	3250 Lbs
HC035	86.0	95.0	84.0	80.3	69.5	26.8	5	60	15-50	33 Gal	3550 Lbs
HC040	96.0	95.0	84.0	80.3	69.5	26.8	5	72	15-60	35 Gal	3550 Lbs
HC046	96.0	95.0	84.0	91.3	69.5	32.3	5	72	16-60	37 Gal	3825 Lbs
HC052	108.3	95.0	84.0	92.3	69.5	26.8	5	84	20-60	44 Gal	4210 Lbs
HC060	116.3	95.0	84.0	100.3	68.0	26.8	6	84	20-60	55 Gal	4800 Lbs
HC066	116.3	95.0	84.0	108.3	68.0	26.8	6	84	20-60	60 Gal	5050 Lbs
HC072	125.3	95.0	84.0	108.3	68.0	26.8	6	84	20-60	62 Gal	5700 Lbs
HC078	132.5	95.0	84.0	108.3	68.0	26.8	6	84	20-60	65 Gal	5950 Lbs
HC085	126.2	98.7	84.5	131.0	69.0	26.8	6	84	20-75	75 Gal	6275 Lbs



phone 262-942-1414 fax 262-942-1410 toll free 800-919-9559
 web www.iearad.com email sales@iearad.com

Corporate Headquarters 9625 55th Street, Kenosha, WI 53144